

## *Top Track Box Set Instructions*

### Recessed Box Excavation

Prior to setting a wood recessed box, make sure that the area where the box will be sitting is sixteen (16") inches down from the deck height.

To calculate length of box - Take track space and add four (4) feet.

(Example: Track Space = 18' 0" + 4'. The box size = 22' 0")

### Materials for a wood recessed box

#### Treated Wood:

- (4) 2 x 12 x 12'
- (7) 2 x 2 x 8'
- (1) 2 x 4 x 10' (Cut into fifteen (15") inch pieces called **base boards**.)

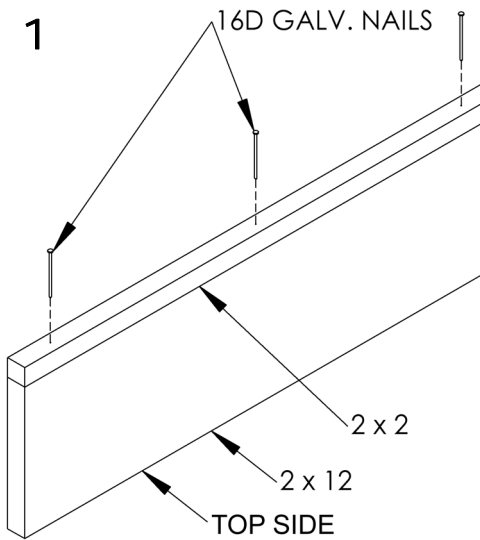
#### Stud Pine:

- (1) 2 x 4 x 8' (Cut into twelve (12") inch pieces called **spacers**.)
- (3) 2 x 4 x 8' (Cut in half and make a point at one end of each piece. These are used for stakes.)

#### Hardware:

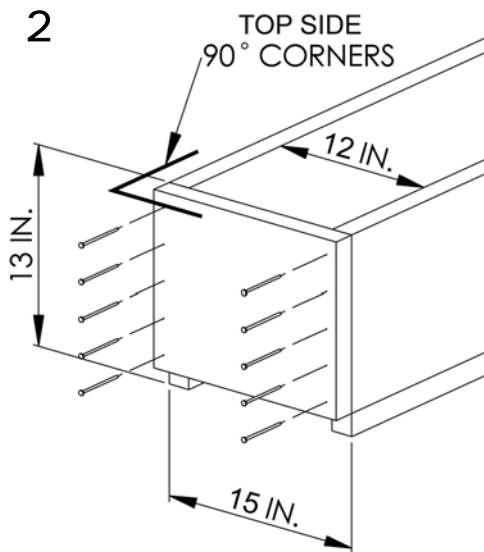
- (1) Box of 16 D spiral galvanized nails

## Directions:



Take one (1) 2 x 4 x 10' board and cut into six (6) fifteen (15") inch equal pieces. Then take two (2) of the 2 x 12 x 12' boards and cut fifteen (15") inches off of both. Set these boards aside. Now nail the 2 x 2' to the bottom of the 2 x 12's using the 16 D spiral galvanized nails (fig. 1).

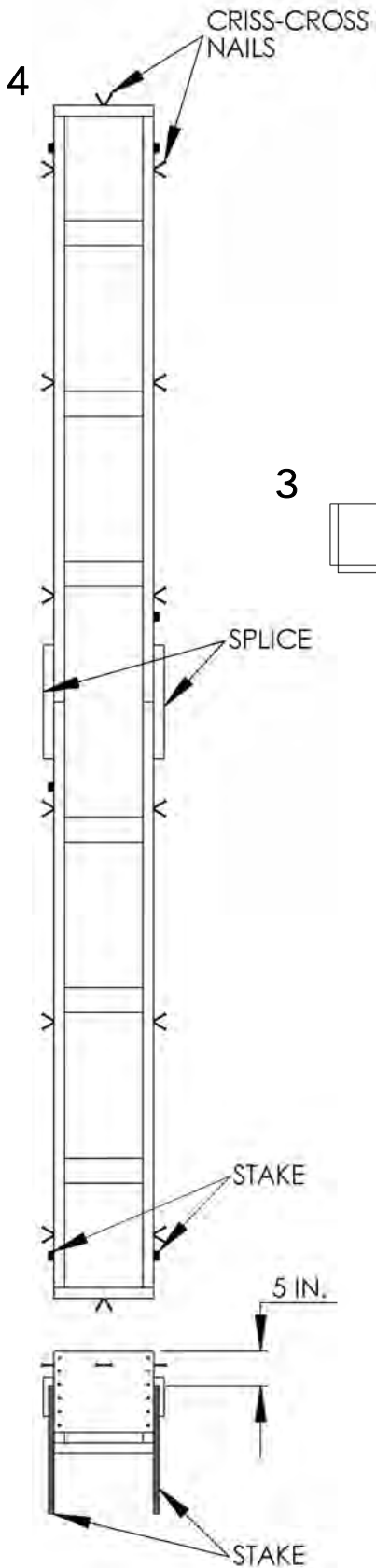
Lay two (2) of the 12 x 12's side by side fifteen (15") inches apart (O.D.). Using a large square, square up the ends of two (2) of the 2 x 12's. Nail one (1) of the fifteen (15") inch end boards to the end of the 2 x 12's. Make sure the tip of this fifteen (15") inch piece is flush to the top of the 2 x 12 (fig. 2), not flush with the top of the 2 x 2's. Use ten (10) nails per end of board (fig. 2). Square box up again.



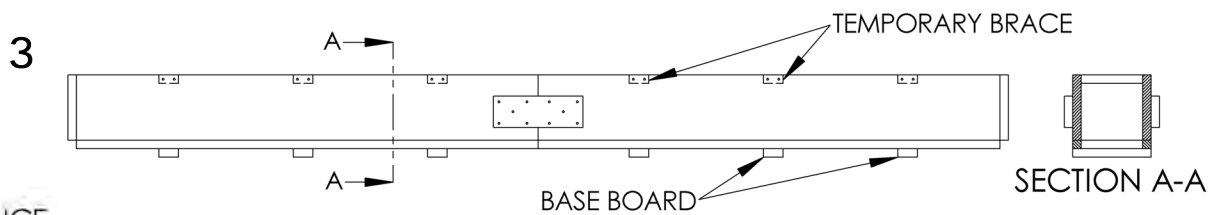
Take three of the fifteen (15") inch pieces and nail them to the top of the 2 x 2's equally spaced apart. Make sure the outside of the fifteen (15") inch piece is flush with the outside of the box. Flip box over. Install the twelve (12") inch pine pieces (spacers) equally spaced apart and flush to the inside top of the box. Measure the (2) remaining 2 x 12's and cut to size. (i.e. In this case it would be removing 9" from 2 x 12's) The total length of the box should be 22'. Repeat previous steps to build other half of box. (fig. 3)

Position the two (2) box halves close to where the box will be installed.

**Note:** To prevent the box from being installed upside down, make sure pine spacers are at the top.



Lay boxes end to end. Use a string to line up back of box. Make sure the box is level and straight. Use remaining 2 x 4's materials and cut into two (2) two (2') foot pieces. Nail one of the two (2') foot pieces into one half of the box five (5) inches below the top outside of the box. Make sure the box butts together and then nail the other half of the splice into the other half of the box. Install remaining two (2') foot piece to the other side of box. (fig. 3)



**Caution:** When using 16 D nails, angle so the sharp end of the nail does not appear on the inside of the box.

Once box is completely made, move box to the end of the pool. Make sure motor side of the box is thirty-six (36") inches outside of intended track dimension. Square box up to pool by doing a diagonal measurement (fig. 5). Make sure the diagonal is within two (2") inches or less. Once box is square, drive six (6) 2" x 4" x 4' stakes into ground around outside of the box (fig. 4). Level box up to finished deck height. Nail stakes to outside of the box. **Nails should not enter the inside of box.** Once box is level backfill around box. Install 16 D nails two (2") inches down from top of the box. Crisscross the nails, looks like an "X", all around the box every eighteen (18") inches so the box will grab a hold of the concrete. (fig. 4)

**Note:** All electrical conduit requirements need to be installed prior to pouring the concrete. If the pool/box is installed in a high water table environment, a drainage system should be put in place to avoid future flooding of recessed box.

